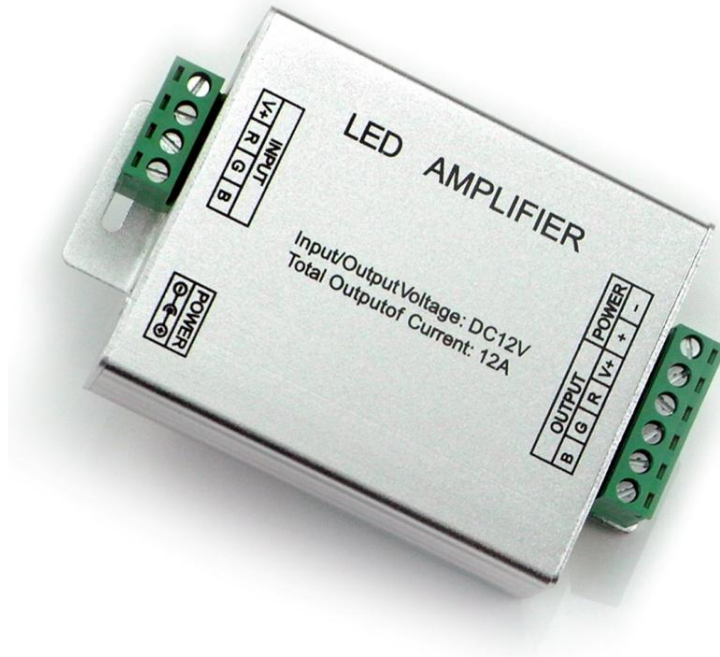

Product Manual

NAME: LED RGB Amplifier

MODEL: GB12 A2



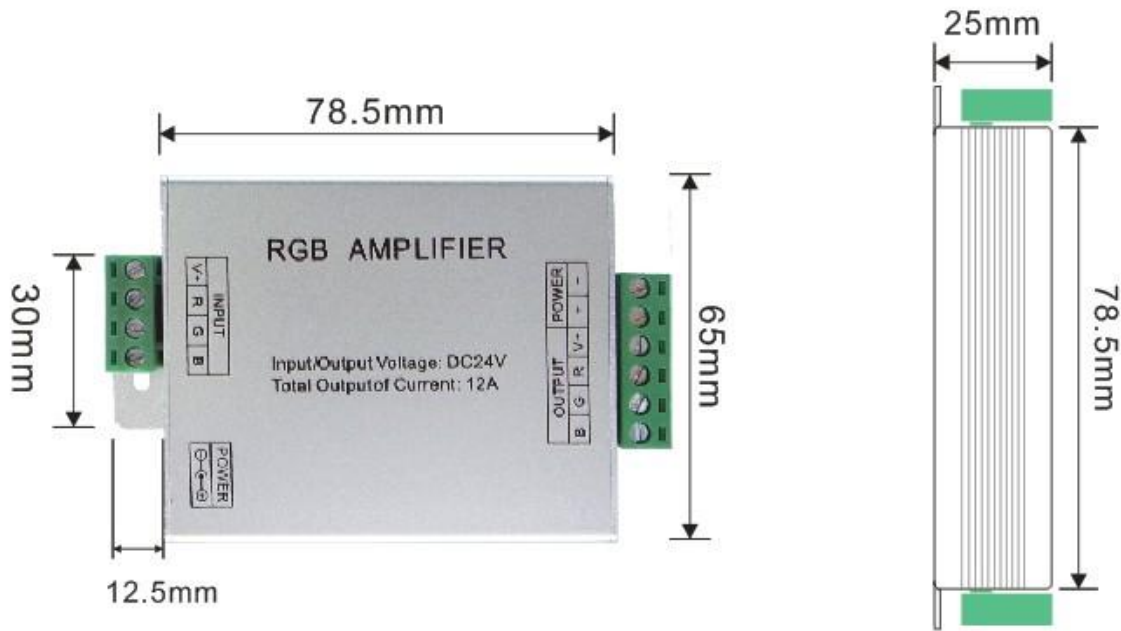
Summarization

It's the assembly product of lighting controlling, which double with LED controller, LED source light and switch power.

Technical parameters

- Working temperature: -20-60 °C
- Supply voltage: DC5V, 12V, 24V <optional>
- Output: 3 channels
- Connecting mode: common anode or common cathode
- External dimension: L105XW65XH25mm
- Net weight: 104g
- Static power consumption: <1 W
- Output current: <4 A (each channel)
- Output power: 5V:<60W, 12V:<144W, 24V:<288W

External Dimension

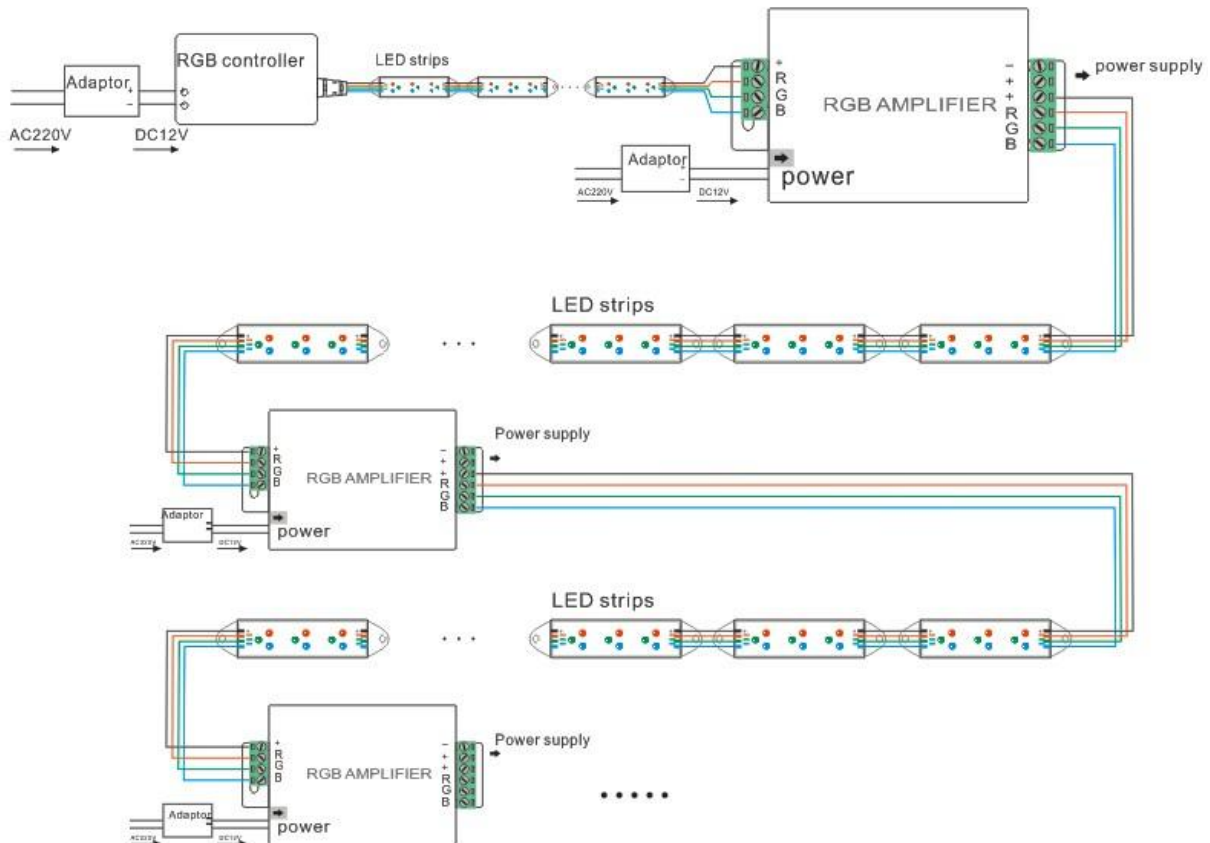


Direction for use

Connect the load wire at first, following by the power wire; Please ensure short circuit can't occur between connecting wire before you turn on the power

Connecting drawing:

Series connection



parallel connection

